

10078991-GXX-XXULF

PLATING
0.76µm GXT (Pd Ni with gold flash)
over 1.27µm Nickel underplate

TAIL LENGTH

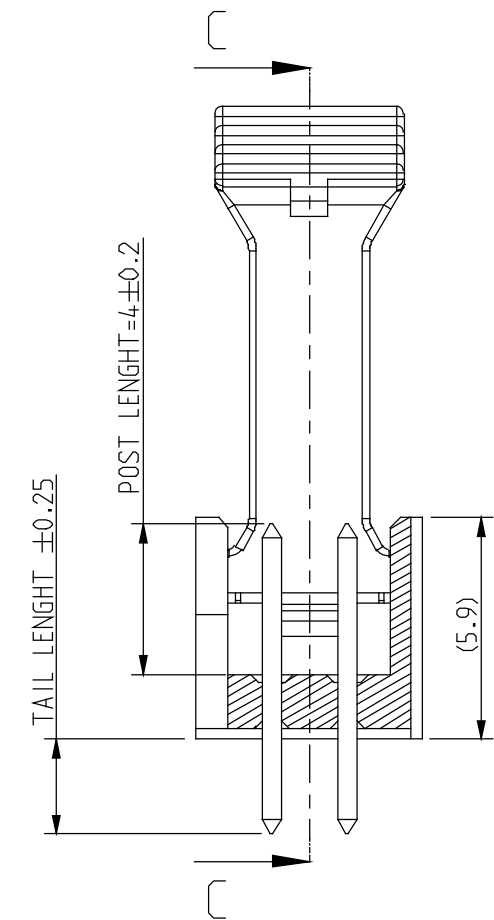
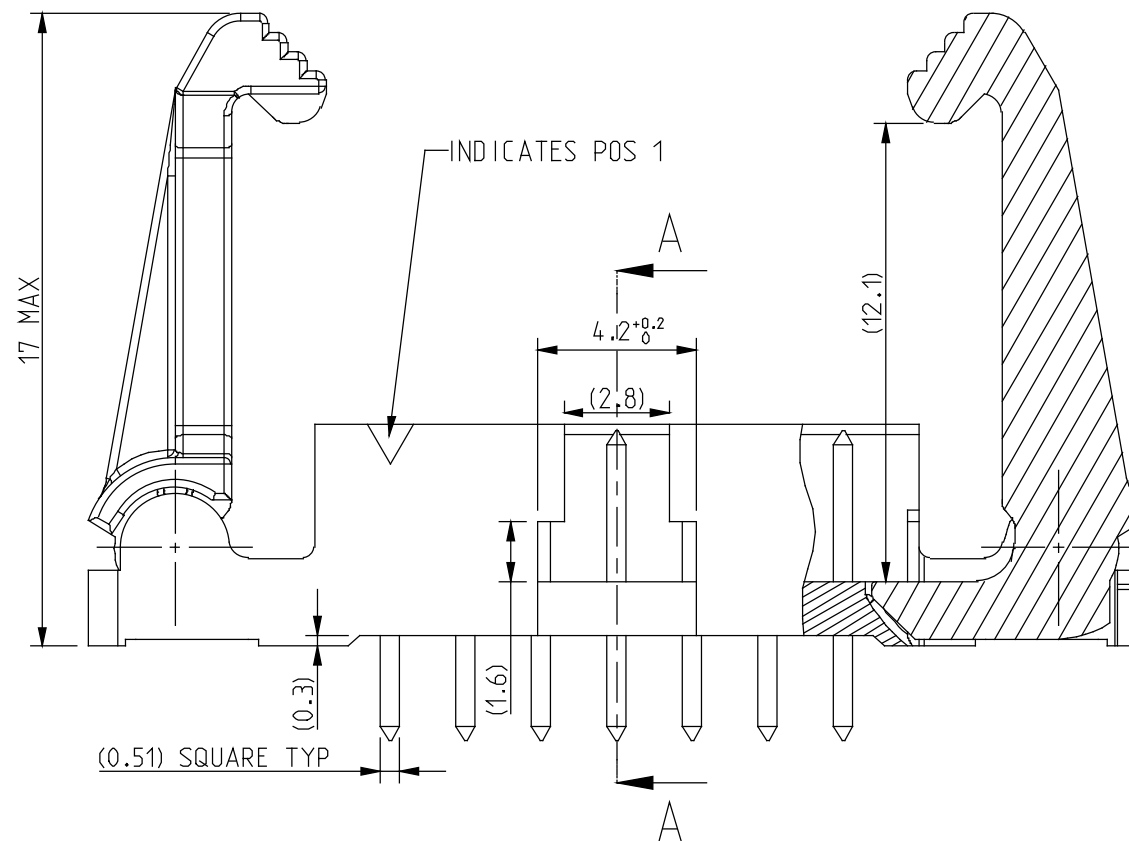
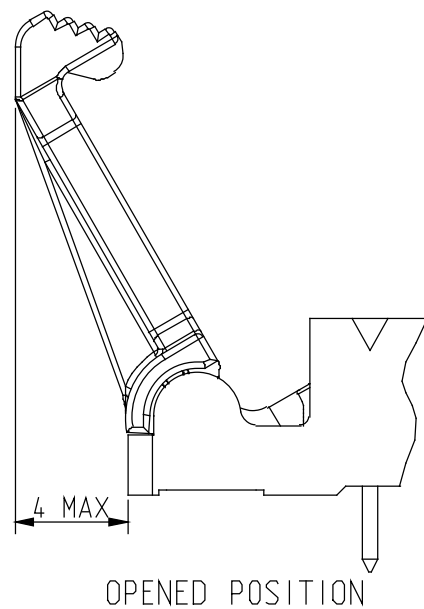
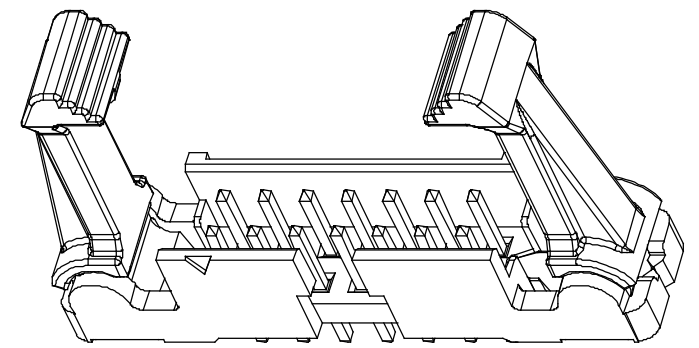
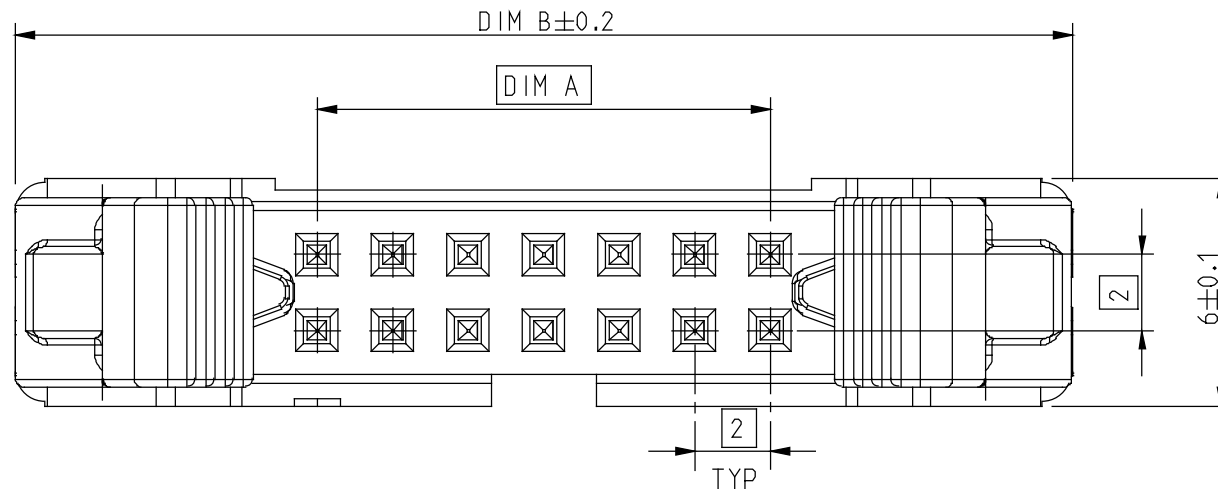
STYLE	DIM B
2	2.5
3	3.1

LATCH TYPE :
1 = STANDARD : For use with STRAIN-RELIEF 10073978
2 = LOW PROFILE : For use without STRAIN-RELIEF

SIZE : TOTAL NB OF POSITIONS
SEE SHEET 2

PACKAGING, SEE NOTE 2

SUFFIX LETTER "LF" INDICATES
THE PRODUCT IS RoHS
COMPATIBLE, SEE NOTE 5.



SECTION C-C
VIEW WITH STANDARD LATCH

SECTION A-A

NOTES :

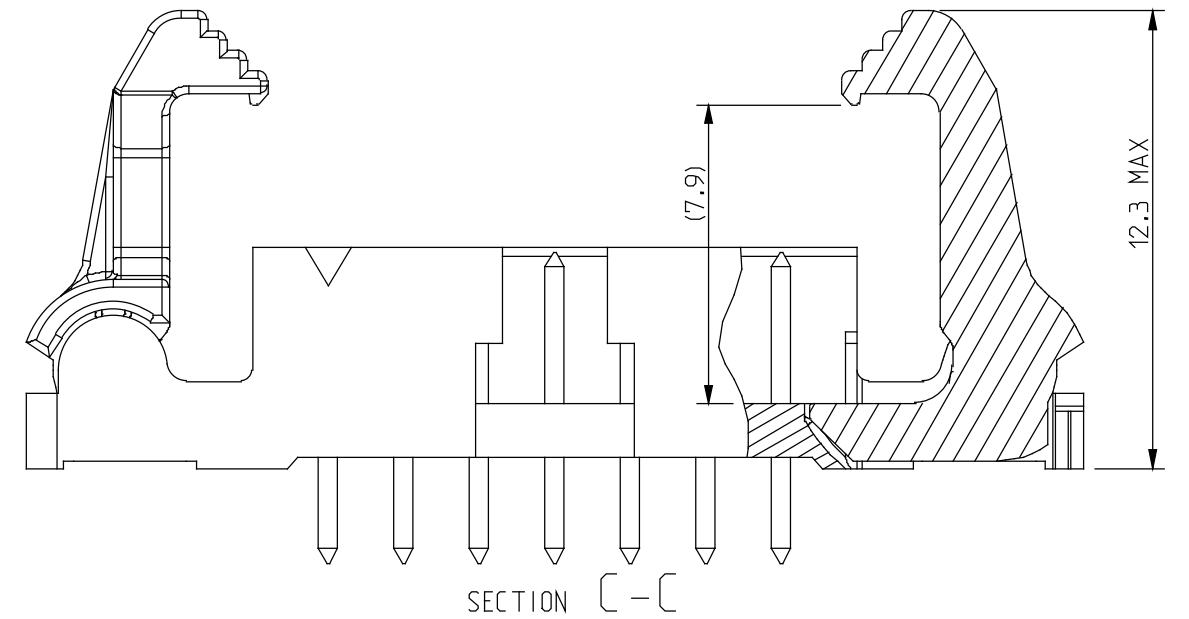
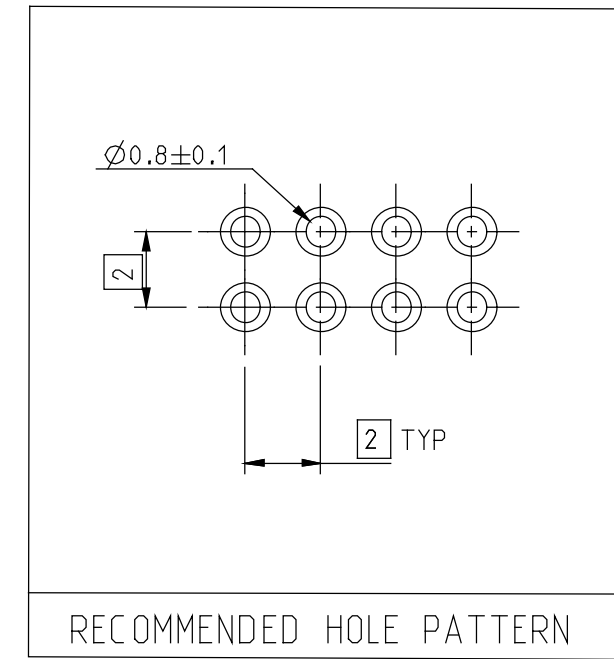
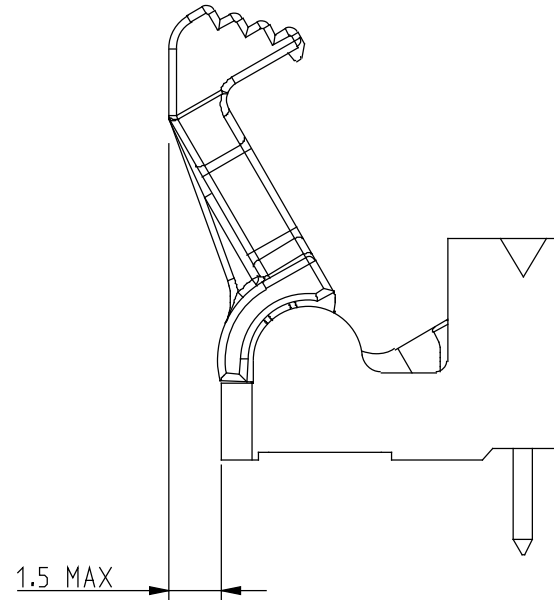
- MATERIAL HOUSING : HIGH TEMPERATURE THERMOPLASTIC UL 94 V0, COLOR CREAM.
- MATERIAL LATCH : HIGH TEMPERATURE THERMOPLASTIC UL 94 V0, COLOR BLACK.
- MATERIAL TERMINAL : COPPER ALLOY
- PIN RETENTION IN EITHER DIRECTION : 7N MIN
- PACKAGING
U= TUBE WITHOUT PICK UP CAP .
- ROHS COMPATIBLE PRODUCT SPECIFICATIONS :
a- PLATING :
"LF" MEANS THE PRODUCT IS LEAD FREE
2µm MINIMUM MATTE TIN OVER 1.27µm NICKEL UNDERPLATE
b- MANUFACTURING PROCESS COMPATIBILITY
THE HOUSING WILL WITHSTAND EXPOSURE TO 260°C ± 5°C SOLDER BATH TEMPERATURE FOR 5 SECONDS IN A WAVE SOLDER APPLICATION WITH A 1.6mm THICK CIRCUIT BOARD.
c- LABELLING
MEETS PACKAGING SPECS AS PER GS-14-920.
d- THIS PRODUCT MEETS EUROPEAN DIRECTIVES AND OTHER CONTRY REGULATION AS DESCRIBED IN GS-22-008.

rev	ecn no	dr	date
A	F08-0110	LSA	08-01-16
-	-	-	-
-	-	-	-
-	-	-	-
-	-	-	-
-	-	-	-

www.fciconnect.com		surface ISO 1302	tolerance std ISO 406 ISO 1101	projection	mm
		TOLERANCES UNLESS OTHERWISE SPECIFIED		size A3	Scale 5:1
Dr	NEBU PM	07-06-19	ANGULAR	0.X	±/
Eng	JM COMPAGNON	07-06-19	LINEAR	0.XX	±/
Chr	JM COMPAGNON	07-06-19	0° ±/°	0.XXX	±/
Appr	L. SAILLARD	07-06-19	Product family	-	Spec ref
FCI		title EJECT LATCH HEADER VERTICAL TMT		dwg no 10078991	Rev. A
		catalog no	-	CUSTOMER	sheet 1 of 2

Copyright FCI.

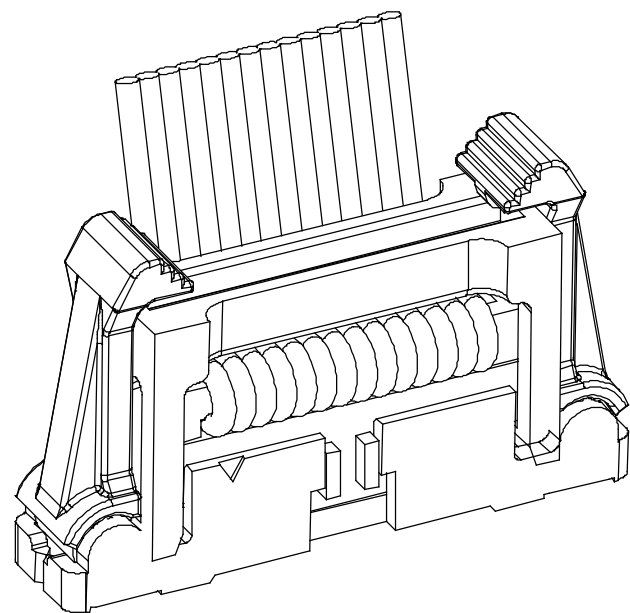
SIZE	POSITIONS	DIM A	DIM B
06	2x 3	4,00	20,00
08	2x 4	6,00	22,00
10	2x 5	8,00	24,00
12	2x 6	10,00	26,00
14	2x 7	12,00	28,00
24	2x12	22,00	38,00
30	2x15	28,00	44,00
40	2x 20	38,00	54,00
44	2x 22	42,00	58,00
50	2x 25	48,00	64,00



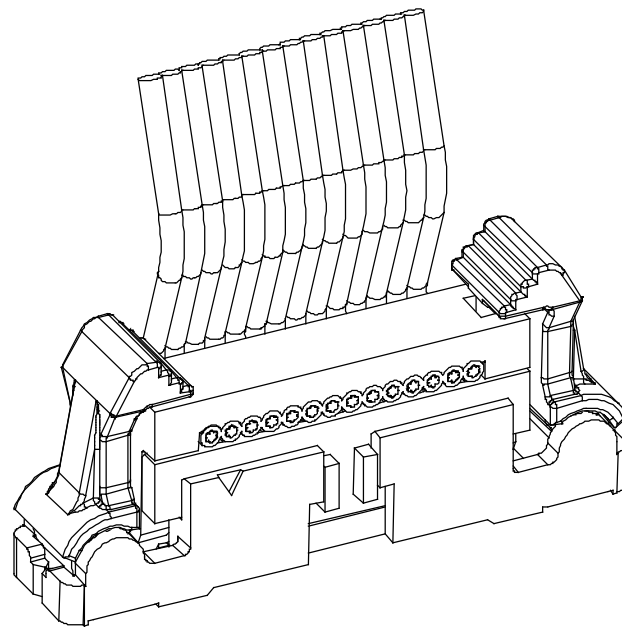
EXAMPLE 10078991-G02-14YLF
LOW PROFILE LATCH

PRODUCT USED IN COMBINATION WITH IDC
RECEPTACLE P/Ns 89361 & 89941

WITH STRAIN-RELIEF ACCESSORY
- STANDARD LATCH -



WITHOUT STRAIN-RELIEF ACCESSORY
- LOW PROFILE LATCH -



www.fciconnect.com		surface ISO 1302	- ✓	tolerance std ISO 406 ISO 1101	projection mm	mm
TOLERANCES UNLESS OTHERWISE SPECIFIED				ANGULAR	LINEAR	Scale 3:1
Dr	NEBU PM	07-06-19	0.X	±/	size A3	Scale 3:1
Eng	JM COMPAGNON	07-06-19	0.XX	±/	ECN	F08-0110
Chr	JM COMPAGNON	07-06-19	0.XXX	±/	Product family	-
Appr	L. SAILLARD	07-06-19	Product family		-	Spec ref
title EJECT LATCH HEADER VERTICAL TMT		dwg no 10078991		Rev. A		
catalog no		-		CUSTOMER		sheet 2 of 2